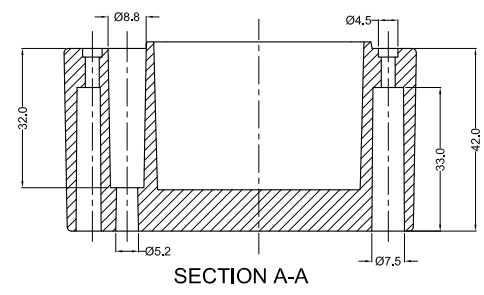
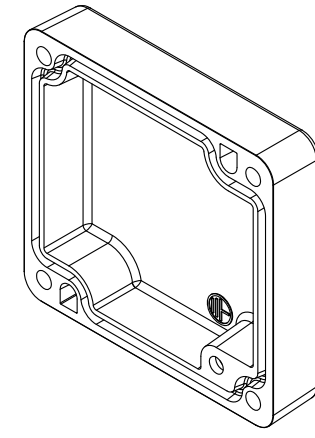
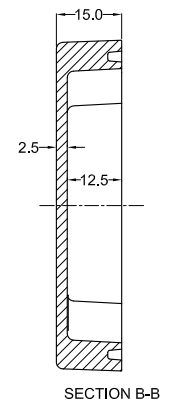
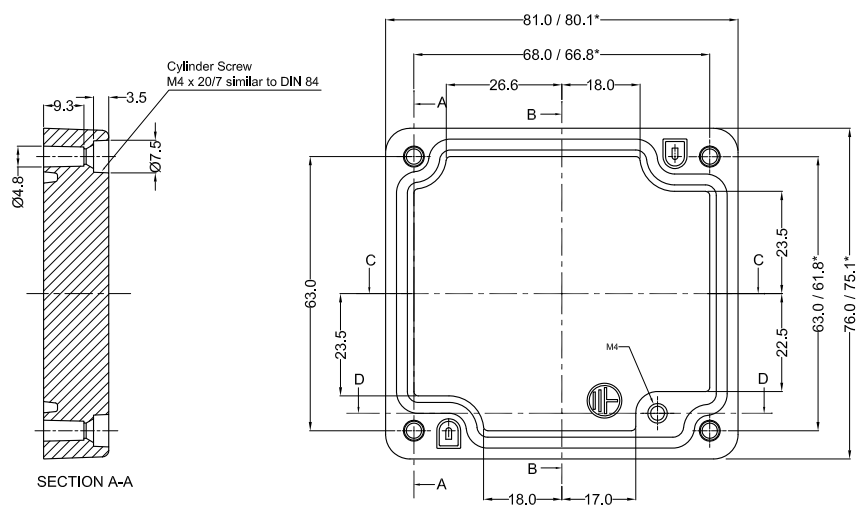


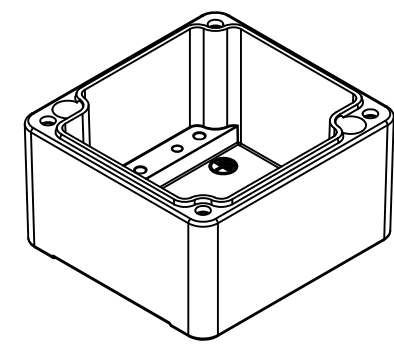
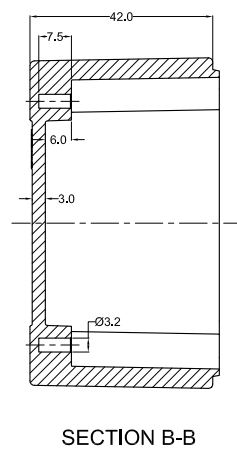
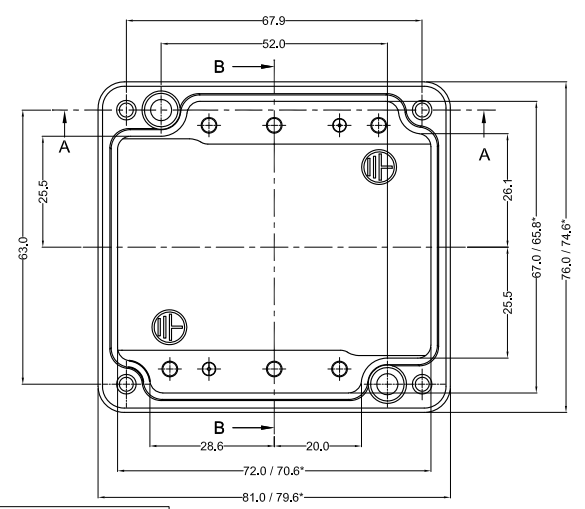
\* = Conical form tapering downward.  
 Untoleranced dimensions per GTA 13/5 DIN 1688

OPTIONAL ACCESSORIES		
PART NAME	QTY.	AVILABILITY
MOUNTING PLATE	1	Y
EXTERNAL HINGE	-	N
INTERNAL HINGE	-	N
MOUNTING BRACKETS	-	N
NEOPRENE/SILICON GASKET	1	Y
DIN RAIL TS15	1	Y
DIN RAIL TS35	-	N

LID



BASE



-	-	-	-	-	-	-
NO.	REV.NO.	DESCRIPTION	DATE	DRAWN	CHECKED	
QUANTITY	MATERIAL :-	MACH.NAME	DATE	SIGN	NAME	
-	Alsi12	-	05/03/13		RRPL	DESIGN
	Din230	TITLE :-	05/03/13		MANOJ	DRAWN
		JUNCTION BOX			PAVAN	CHECKED
		75 x 80 x 57			S.D.	APPROVED
WEIGHT:	FINISH:	Raychem RPG (P) Limited	SCALE	PARTNO. .		
-	NATURAL	Ceat Mahal Annexe,	REV	DRG. NO.		
±0.1	DIMENSIONS	Dr. Annie Besant Road ,	0	AJB-758057		
±0.1	HOLES	Worli , Mumbai 400030				
±1.0°	ANGLES	Web : www.raychemrpg.com				
		RJ 05				

PROPERTY OF RaychemRPG (P) LTD.  
 ALL RIGHTS RESERVED AND/OR PHOTOCOPIING THIS DOCUMENT  
 TO A PERSON WITHOUT RaychemRPG (P) LTD. WRITTEN AUTHORIZATION IS PROHIBITED