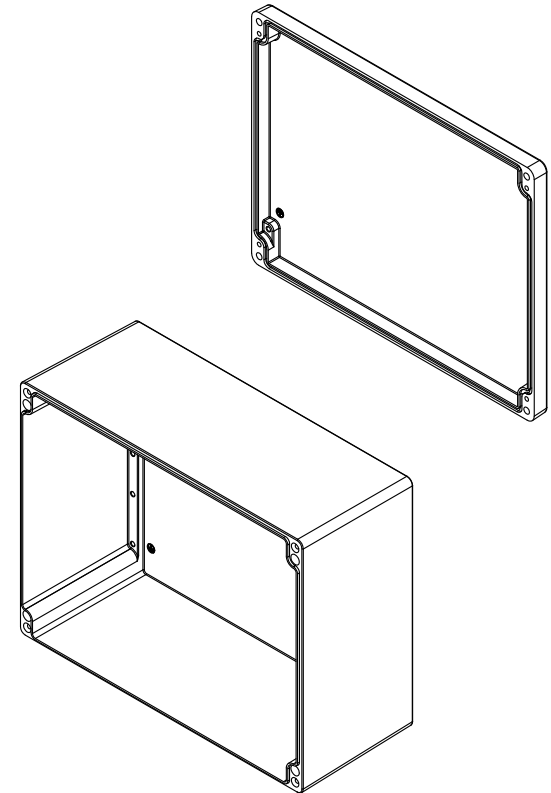
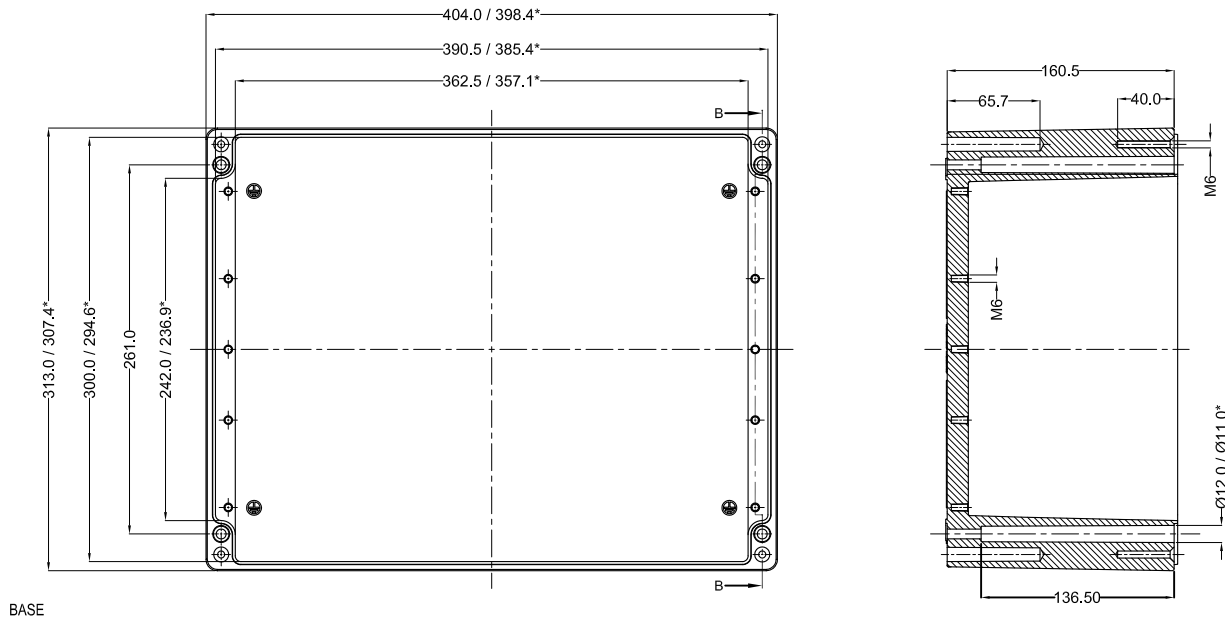
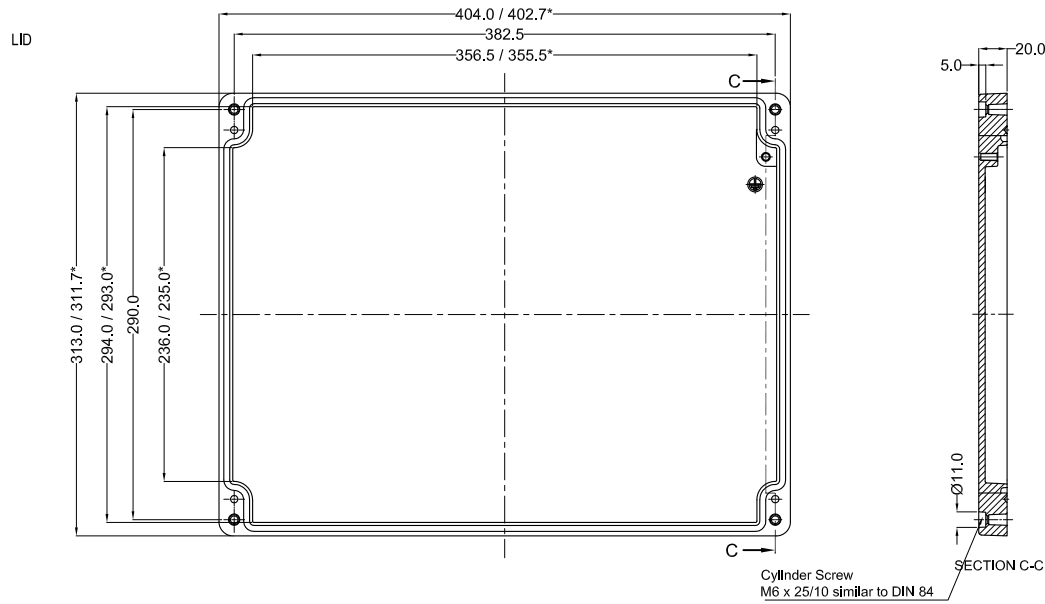


* = Conical form tapering downward.
 Untoleranced dimensions per GTA 13/5 DIN 1688

OPTIONAL ACCESSORIES		
PART NAME	QTY.	AVILABILITY
MOUNTING PLATE	1	Y
EXTERNAL HINGE	2	Y
INTERNAL HINGE	2	Y
MOUNTING BRACKETS	4	Y
NEOPRENE/SILICON GASKET	1	Y
DIN RAIL TS15	-	N
DIN RAIL TS35	1	Y



QUANTITY	MATERIAL :- Alsi 12 Din230	MACH.NAME	DATE	SIGN	NAME	
			15/01/14		RRPL DESIGN	
			15/01/14		MANOJ DRAWN	
			15/01/14		PAVAN CHECKED	
			15/01/14		S. D. APPROVED	
TOLERANCE	WEIGHT : FINISH : NATURAL	TITLE :- JUNCTION BOX 400 x 310 x 180	SCALE	PARTNO.		
±0.2	DIMENSIONS	Raychem RPG (P) Limited	REV	DRG. NO.		
±0.2	HOLES	Ceat Mahal Annexe, Dr. Annie Besant Road , Worli , Mumbai 400030 Web : www.raychemrpg.com	0	AJB-400310180		
±1.0°	ANGLES	RJ - 32				

PROPERTY OF RaychemRPG (P) LTD.
 ALL RIGHTS RESERVED AND/OR PHOTOCOPYING THIS DOCUMENT
 TO A PERSON WITHOUT RaychemRPG (P) LTD. WRITTEN AUTHORIZATION IS PROHIBITED