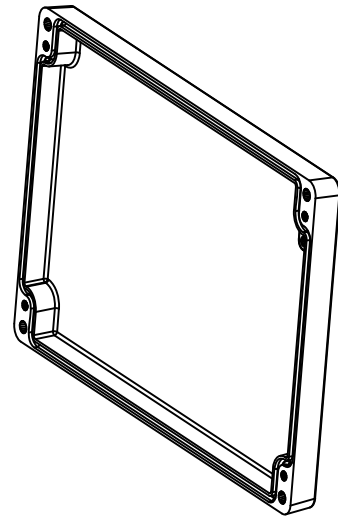
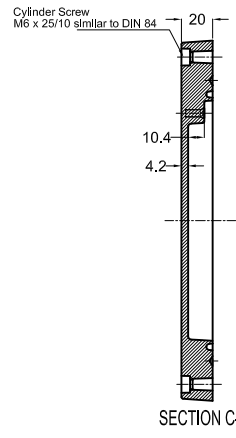
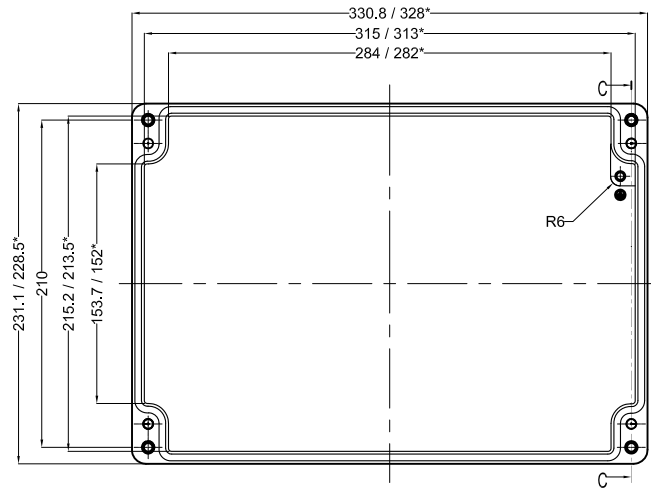
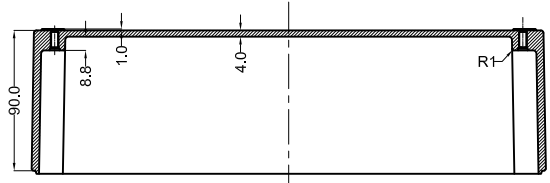
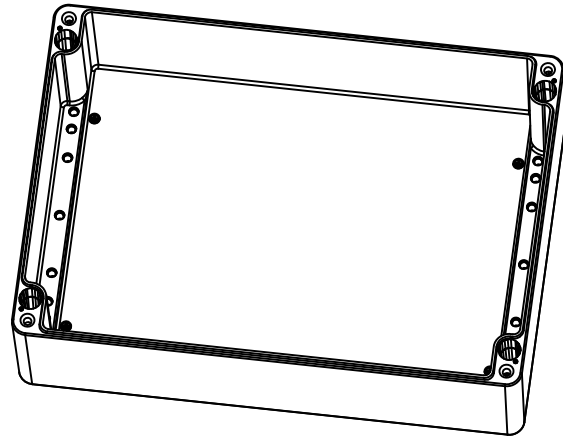
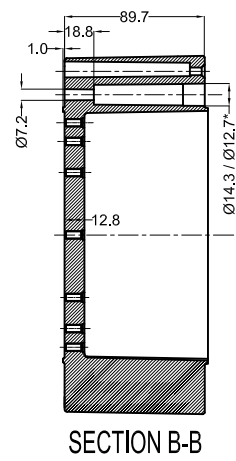
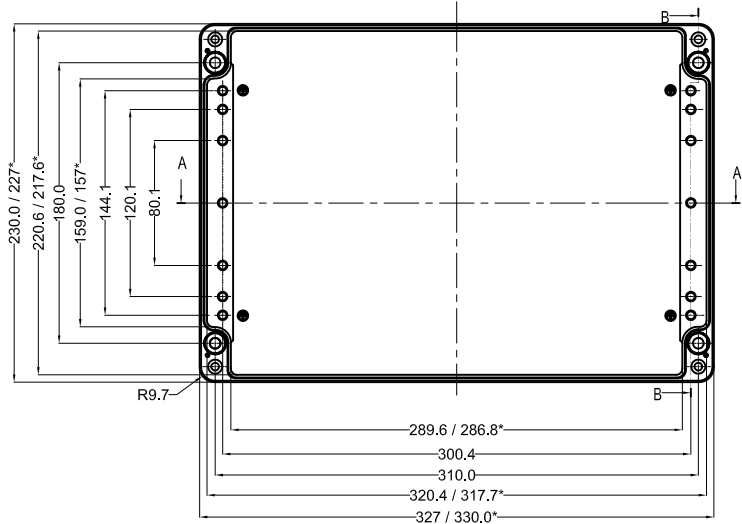


\* = Conical form tapering downward.  
 Untoleranced dimensions per GTA 13/5 - DIN 1688

LID



BASE



SECTION A-A

QUANTITY 1	MATERIAL :- <b>ALsi12 (Din230)</b>	MACH.NAME -	DATE 13/06/12	SIGN MANOJ	NAME DRAWN
	WEIGHT: -	FINISH: NATURAL	DATE 13/06/12	SIGN PAVAN	NAME CHECKED
	TOLERANCE ±0.2 DIMENSIONS ±0.2 HOLES ±1.0° ANGLES	ALL DIMENSION ARE IN MM	TITLE :- JUNCTION BOX 330 x 230 x 110		S.D. APPROVED
PROPERTY OF RaychemRPG (P) LTD. ALL RIGHTS RESERVED AND/OR PHOTOCOPYING THIS DOCUMENT TO A PERSON WITHOUT RaychemRPG (P)LTD. WRITTEN AUTHORIZATION IS PROHIBITED		<b>Raychem RPG (P) Limited</b> Ceat Mahal Annexe, Dr. Annie Besant Road , Worli , Mumbai 400030 Web : www.raychemrpg.com		SCALE REV 0	PARTNO. 0 DRG. NO. <b>AJB-330230110</b>

PROPERTY OF RaychemRPG (P) LTD.  
 ALL RIGHTS RESERVED AND/OR PHOTOCOPYING THIS DOCUMENT  
 TO A PERSON WITHOUT RaychemRPG (P)LTD. WRITTEN AUTHORIZATION IS PROHIBITED