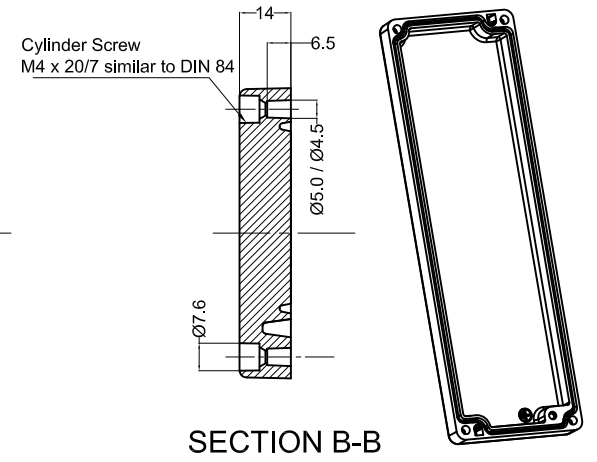
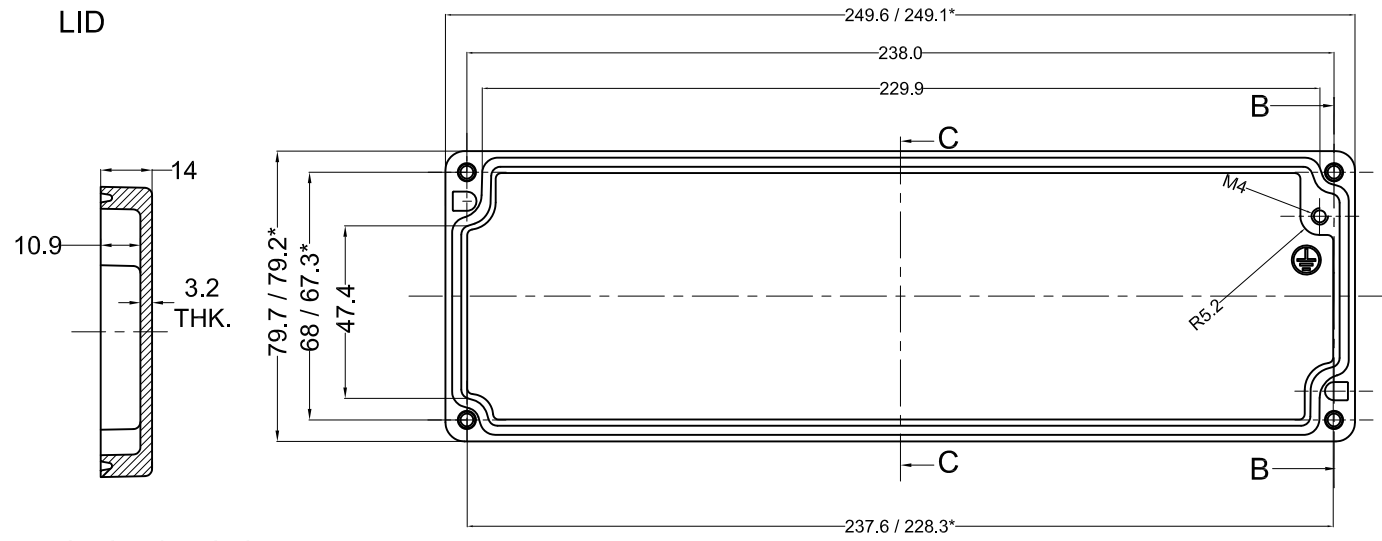


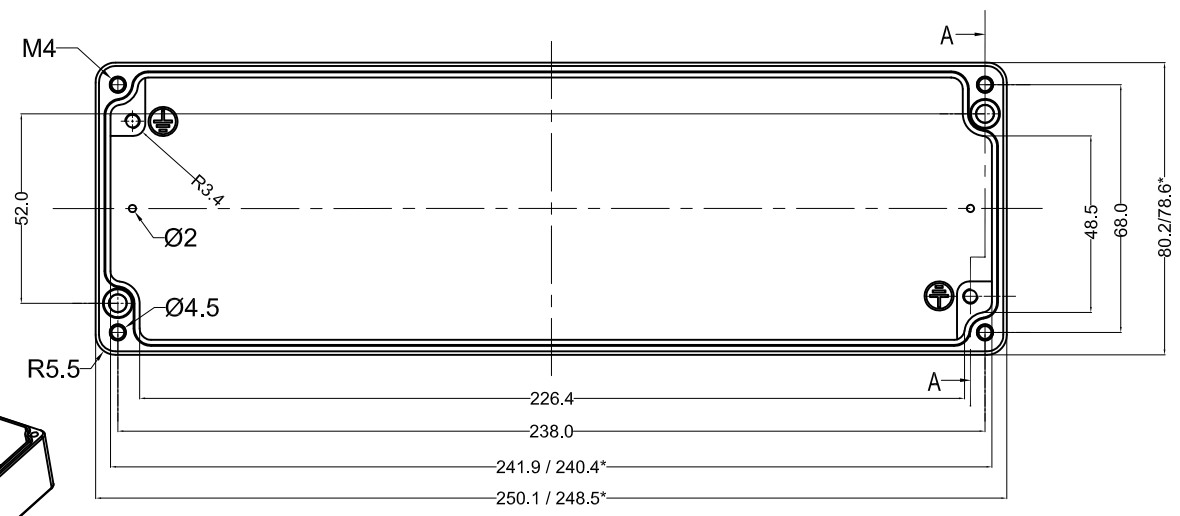
* = Conical form tapering downward.
 Untoleranced dimensions per GTA 13/5 DIN 1688

LID



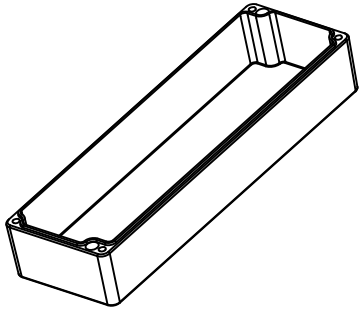
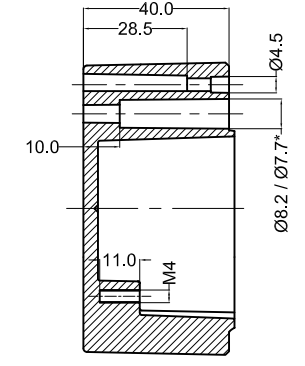
SECTION C-C

BASE



SECTION B-B

SECTION A-A



QUANTITY 1	MATERIAL :- AISI 112 DIN 230	MACH. NAME -	DATE 09/06/12	SIGN MANOJ	NAME DRAWN
 TOLERANCE ±0.2 DIMENSIONS ±0.2 HOLES ±1.0° ANGLES	WEIGHT: -	FINISH: NATURAL	TITLE :- JUNCTION BOX 250 x 80 x 54	DATE 09/06/12	NAME PAVAN CHECKED
	ALL DIMENSIONS ARE IN MM		SCALE 1:1	PARTNO. 0	DRG. NO. AJB-2508054
Raychem RPG (P) Limited Ceat Mahal Annexe, Dr. Annie Besant Road, Worli, Mumbai 400030 Web : www.raychemrpg.com			REV 0		

PROPERTY OF RaychemRPG (P) LTD.
 ALL RIGHTS RESERVED AND/OR PHOTOCOPYING THIS DOCUMENT
 TO A PERSON WITHOUT RaychemRPG (P) LTD. WRITTEN AUTHORIZATION IS PROHIBITED