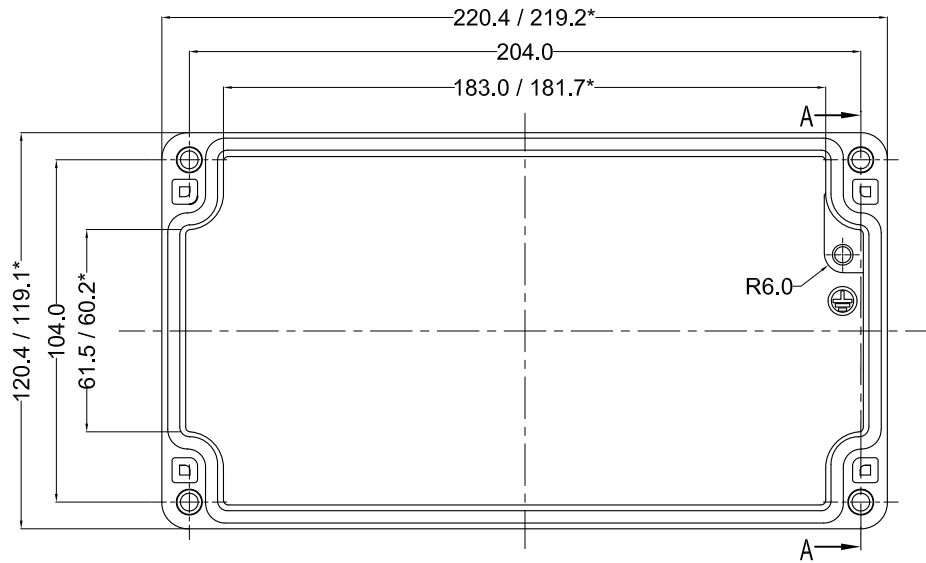
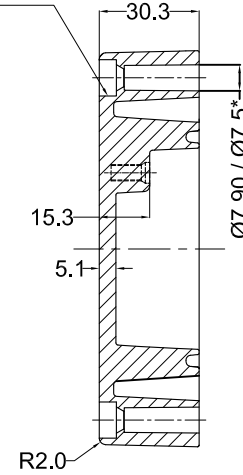


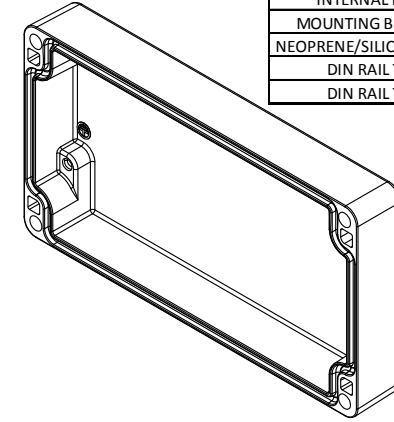
* = Conical form tapering downward.
 Untoleranced dimensions per GTA 13/5 DIN 1688



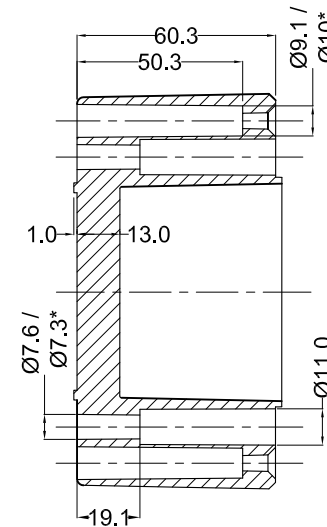
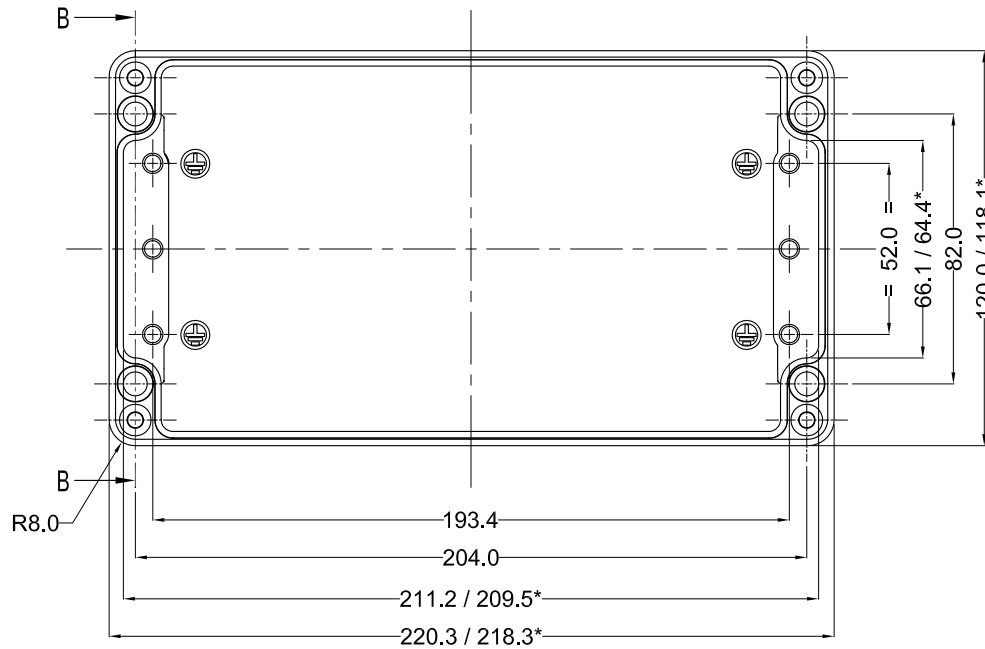
Cylinder Screw
 M6 x 35/10 similar to DIN 84



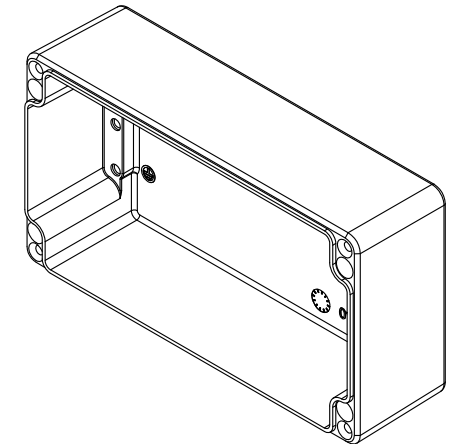
SECTION A-A



ACCESSORIES		
PART NAME	QTY.	AVAILABILITY
MOUNTING PLATE	1	Y
EXTERNAL HINGE	2	Y
INTERNAL HINGE	-	N
MOUNTING BRACKETS	4	Y
NEOPRENE/SILICON GASKET	1	Y
DIN RAIL TS15	-	N
DIN RAIL TS35	1	Y



SECTION B-B



QUANTITY 1	MATERIAL :- ALs112 (Din230)	MACH.NAME -	DATE 30/04/12	SIGN MANOJ	NAME DRAWN
 TOLERANCE ±0.2 DIMENSIONS ±0.2 HOLES ±1.0° ANGLES	WEIGHT: - FINISH: NATURAL	TITLE :- JUNCTION BOX 220 x 120 x 90	DATE 30/04/12	SIGN PAVAN	NAME CHECKED
			SCALE		PARTNO. 0
Raychem RPG (P) Limited Ceat Mahal Annexe, Dr. Annie Besant Road, Worli, Mumbai 400030 Web : www.raychemrpg.com		REV 0		DRG. NO. AJB-22012090	