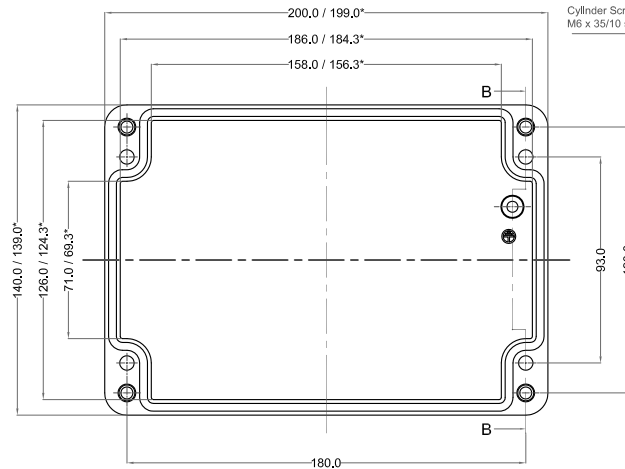
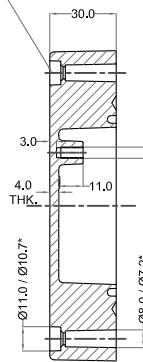


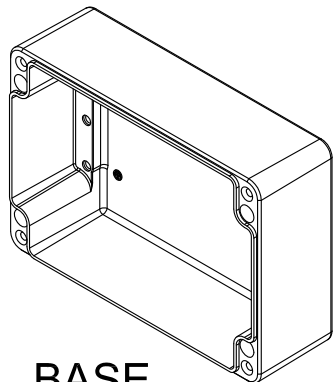
LID



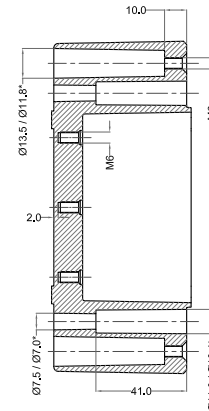
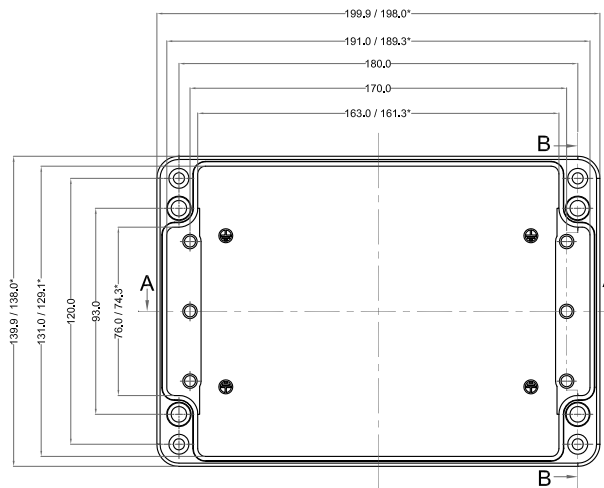
Cylinder Screw
M6 x 35/10 similar to DIN 84



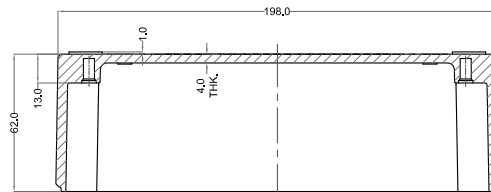
SECTION B-B



BASE



SECTION B-B



SECTION A-A

* = Conical form tapering downward.
Untoleranced dimensions per GTA 13/5 - DIN 1688

ACCESSORIES		
PART NAME	QTY.	AVAILABILITY
MOUNTING PLATE	1	Y
EXTERNAL HINGE	2	Y
INTERNAL HINGE	2	Y
MOUNTING BRACKETS	4	Y
NEOPRENE/SILICON GASKET	1	Y
DIN RAIL TS15	-	N
DIN RAIL TS35	1	Y

PROPERTY OF RaychemRPG (P) LTD.
ALL RIGHTS RESERVED AND/OR PHOTOCOPIING THIS DOCUMENT
TO A PERSON WITHOUT RaychemRPG (P)LTD, WRITTEN AUTHORIZATION IS PROHIBITED

QUANTITY 1	MATERIAL :- AISI112 DIN230	MACH.NAME -	DATE 19/09/15	SIGN MANOJ	NAME DRAWN
	WEIGHT: - FINISH: NATURAL	TITLE :- JUNCTION BOX 200 x 140 x 90	19/09/15	PAVAN	CHECKED
				M.S.	APPROVED
TOLERANCE ±0.2 DIMENSIONS ±0.2 HOLES ±1.0° ANGLES	ALL DIMENSION ARE IN MM	Raychem RPG (P) Limited Ceat Mahal Annexe, Dr. Annie Besant Road , Worli , Mumbai 400030 Web : www.raychemrpg.com	SCALE REV 0	PARTNO. 0	DRG. NO. AJB-20014090