

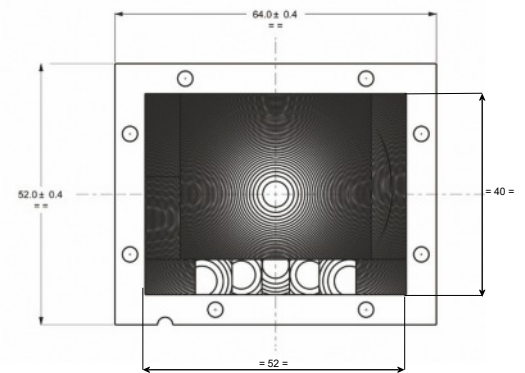
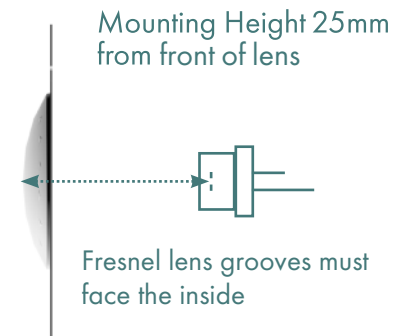
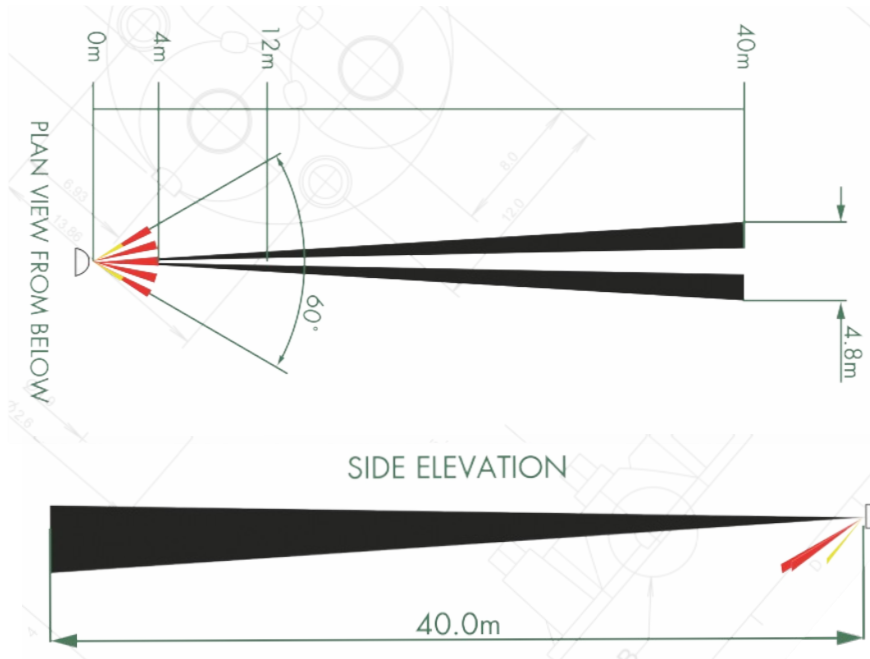
## PF 11 LR - Long Range

Item Code 5907  
 Drawing Number A3-60093

Available with different hole patterns, transparent, white, light grey, black and custom colours.

PF 11 LR is a long range lens that is particularly suited to corridor and aisle applications.

- Powerful for long range applications up to 40m
- Short range detection enables both ends of the corridor to be monitored effectively
- Carclo Standard lens frame



Typical Field of View diagrams when used in conjunction with type A pyro

Note: Field of view (FOV) diagrams are idealised. Exact zones may depend on mounting conditions, detector type etc. FOV diagrams have been raytraced in reverse, i.e. from detector to the floor.

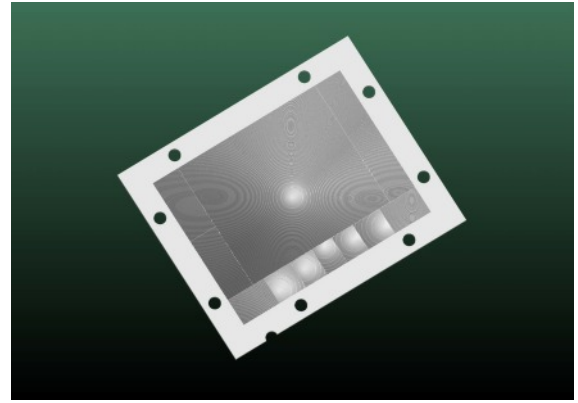


## Making PIR Work

Leading design and manufacture of PIR Lenses

## PF 11 LR - Long Range

Item Code 5907  
 Drawing Number A3-60093



Compatible Sensor Types	A, C, E, G	<a href="#">View on Website</a>
Additional Sensor Types*	B*, D*, H*, I*	
Pyro Mounting Height	25mm from front of lens**	
Mounting Height from Floor	2 - 3 metres	
Detection Angle	60°	
Detection Range	Up to 40m	
Focal Length	25mm	
Material	Carclo HDPE	
Colours	Natural, White, Light Grey, Black	
Variants	With or without mounting holes****	
No. of Lenses	11	
Overall Lens Dimensions	52mm x 40mm	
Overall Part Dimensions	64mm x 52mm x 0.5mm	
Mounting	Flat	

\* May work with reduced signal. Recommend trial

\*\* For some lenses the optical distance is critical- e.g. must equal 3.6+-0.1 mm on drawing "Optical Distance" or a spacer under Pyro to achieve correct focal length to lens. Beware of Pyro orientation. Pyro Mounting height (from top surface of optic to element plane on Pyro).

\*\*\* With correct orientation - 90 degree from the drawing on pyro table

\*\*\*\* A one off tooling charge may apply

Carclo Technical Plastics Ltd.  
 47 Waters Way - Mitcham - Surrey - CR4 4HR - UK  
 Tel: +44 (0) 208 685 0500 - sales@carclo-fresnels.com

Carclo Technical Plastics  
 600 Depot Street - Latrobe -PA 15650 - USA  
 Tel: +1 724 539 6995 - sales@carclo-usa.com

JVS Sales & Technical Consultants GmbH, Wiesenstrasse 104 - 53639 Königswinter - Germany  
 Tel: +49 2244 918 130 - sales@carclo-fresnels.com