

## PF 111

Item Code 9967  
 Drawing Number A3-60307

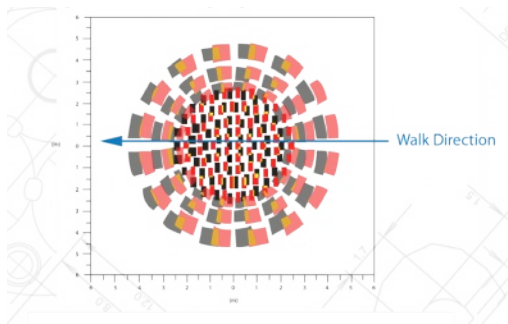
Available with different hole patterns, transparent, white, light grey, black and custom colours.

The PF 111 is a wide angle ceiling lens that is ideal for Building / Lighting control applications. The 48 outer fresnel zones give mid range detection, with the remaining 63 zones aligned with minimal spacing provide minor movement detection.

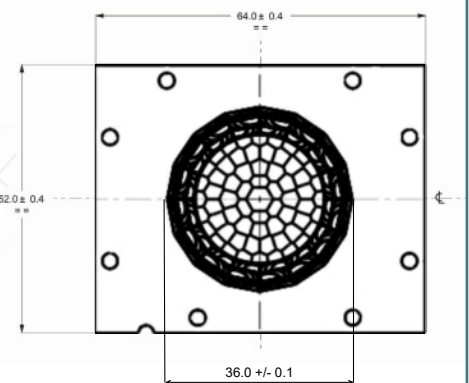
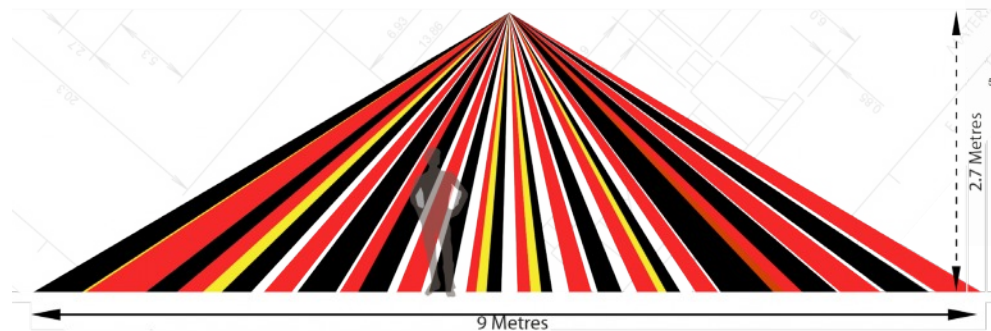
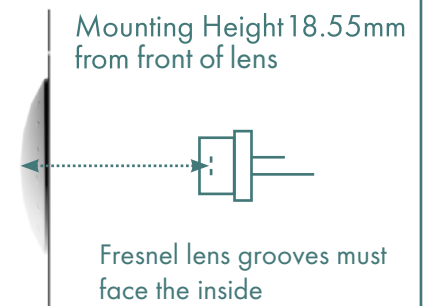
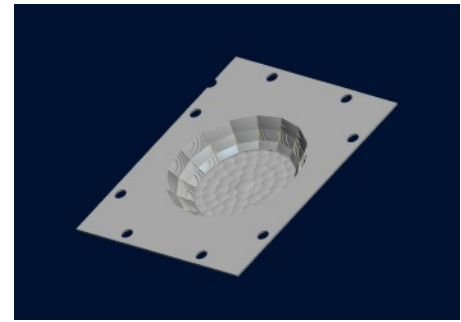
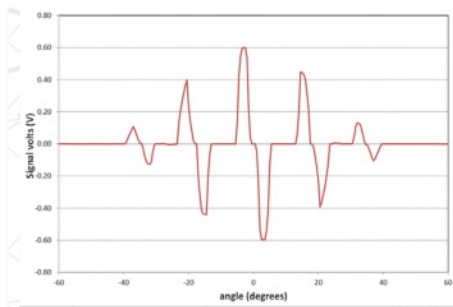
The low profile makes this a discrete solution when ceiling mounted.

Designed for dual element detectors including the banana type, 4 element detectors have also been used in conjunction with this lens.

Typical field of view diagram when used in conjunction with Perkin Elmer Lhi 958 Detector with dual element configuration at a mounting height of 2.7m



Signal response of Lhi 958 used with PF111 in a straight line walk test simulation. Walk direction is shown by the arrow on field of view diagram below.

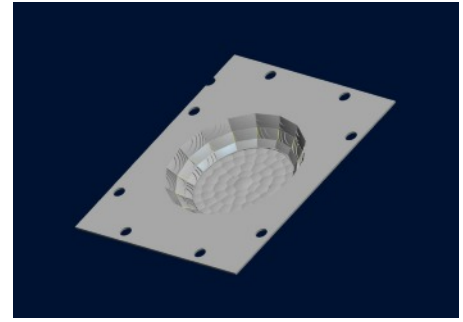


Note: Field of view (FOV) diagrams are idealised. Exact zones may depend on mounting conditions, detector type etc. FOV diagrams have been raytraced in reverse, i.e. from detector to the floor.



## Making PIR Work

Leading design and manufacture of PIR Lenses



## PF 111

Item Code 9967  
 Drawing Number A3-60307

Compatible Sensor Types	A, B, C, E, F, G, H, I	<a href="#">View on Website</a>
Additional Sensor Types*	N/A	
Pyro Mounting Height	18.55mm from front of lens**	
Mounting Height from Floor	2 - 5 metres	
Detection Angle	118°	
Detection Range	2 - 5 m and more	
Focal Length	18.55mm	
Material	Carclo HDPE	
Colours	Natural, White, Light Grey, Black	
Variants	With or without mounting holes****	
	Cropped to standard or custom shape. ****	
No. of Lenses	111	
Overall Lens Dimensions	36mm x 6.3mm	
Overall Part Dimensions	64mm x 52mm x 6.8mm	
Mounting	Wall or ceiling	

\* May work with reduced signal. Recommend trial

\*\* For some lenses the optical distance is critical- e.g. must equal 3.6+-0.1 mm on drawing "Optical Distance" or a spacer under Pyro to achieve correct focal length to lens. Beware of Pyro orientation. Pyro Mounting height (from top surface of optic to element plane on Pyro).

\*\*\* With correct orientation - 90 degree from the drawing on pyro table

\*\*\*\* A one off tooling charge may apply

Carclo Technical Plastics Ltd.  
 47 Waters Way - Mitcham - Surrey - CR4 4HR - UK  
 Tel: +44 (0) 208 685 0500 - sales@carclo-fresnels.com

Carclo Technical Plastics  
 600 Depot Street - Latrobe -PA 15650 - USA  
 Tel: +1 724 539 6995 - sales@carclo-usa.com

JVS Sales & Technical Consultants GmbH, Wiesenstrasse 104 - 53639 Königswinter - Germany  
 Tel: +49 2244 918 130 - sales@carclo-fresnels.com