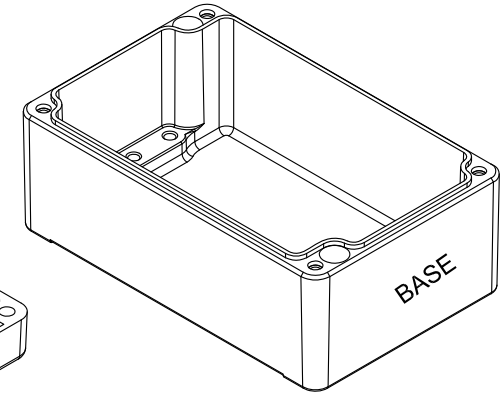
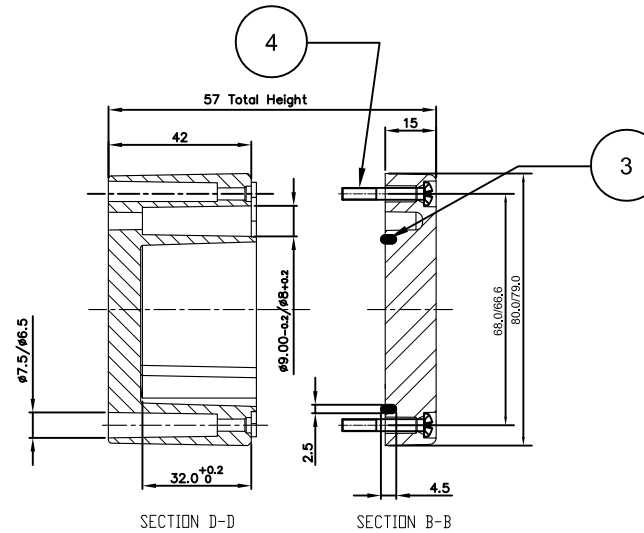
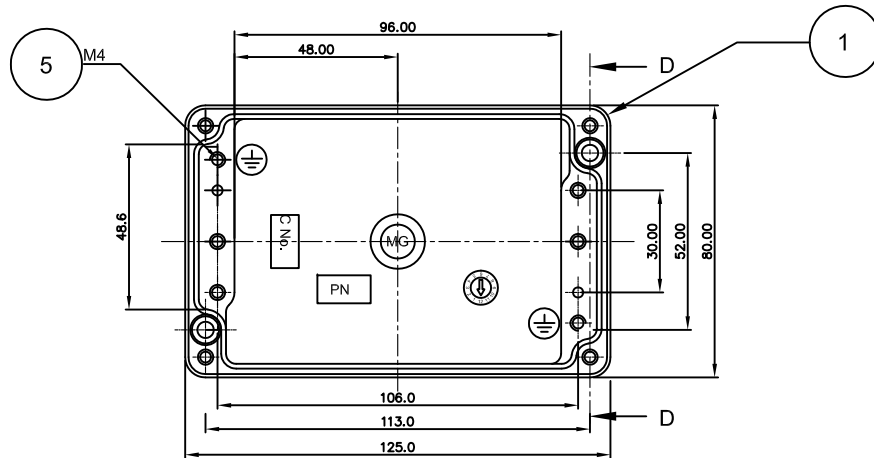


1:1



1:1



All Dimensions are in mm

BOM			
SR. NO.	PART NAME	MATL.	QTY.
5	EARTHING SCREW ( M4x10)	COPPER	2
4	RETAINER SCREW ( M4x27 )	S.S	4
3	GASKET	NEORENE	1
2	LID	LM 6 / LM 24 (SPECIAL Sn REFINED)	1
1	BASE	LM 6 / LM 24 (SPECIAL Sn REFINED)	1

Raw Material : -

**Raychem RPG Limited**

Plot No. : 1/62,  
M.G. Road, Village & Post - VALIV,  
Tal : - Bassein  
Dist : - Thane (Maharashtra).  
Country : - India  
Web : [www.raychemrpg.com](http://www.raychemrpg.com)

NAME DATE  
DRN. BY MANOJ 30.08.10  
CHD. BY ROHAN 30.08.10  
APPD. BY S.D. 30.08.10

SCALE: N.T.S.

**JUNCTION BOX- 125x80x57**

Rev. Date  
00 30.08.10