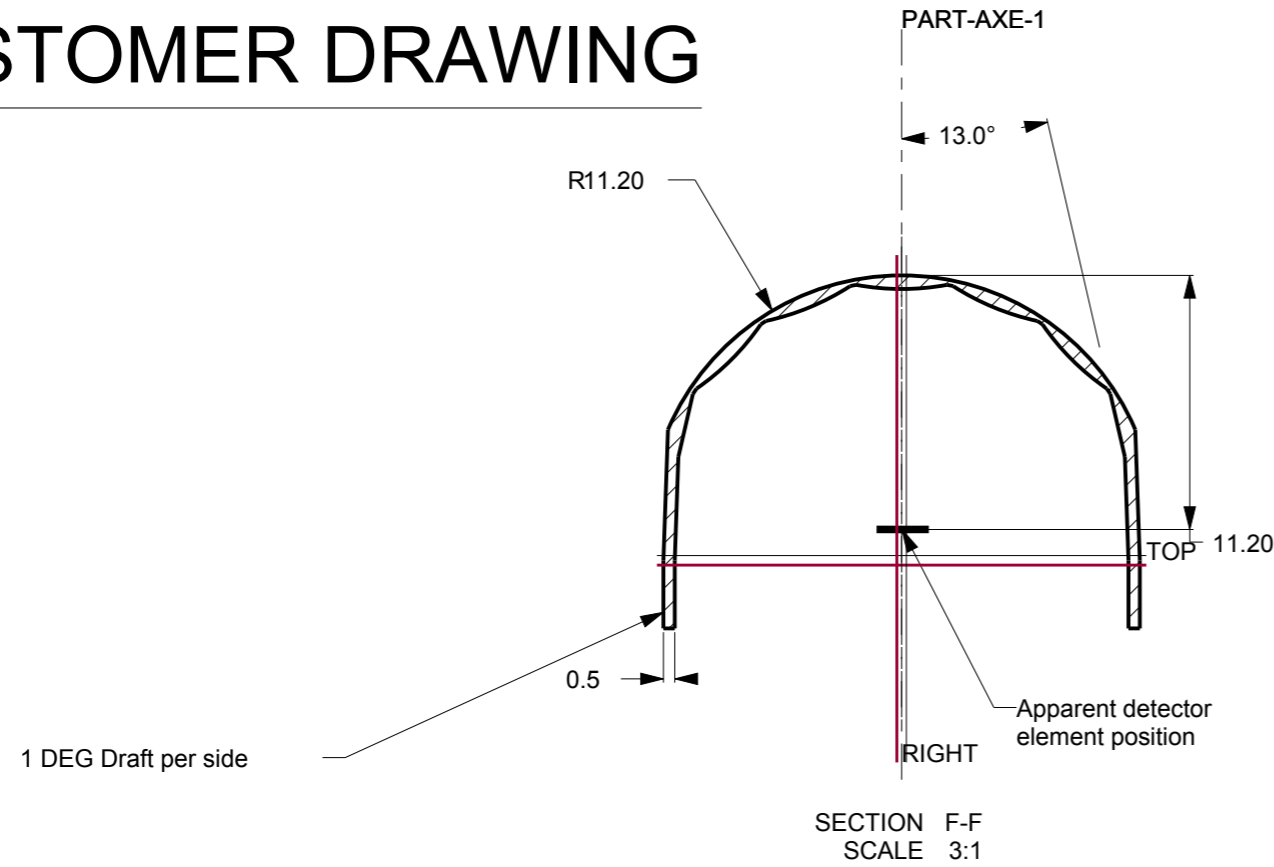
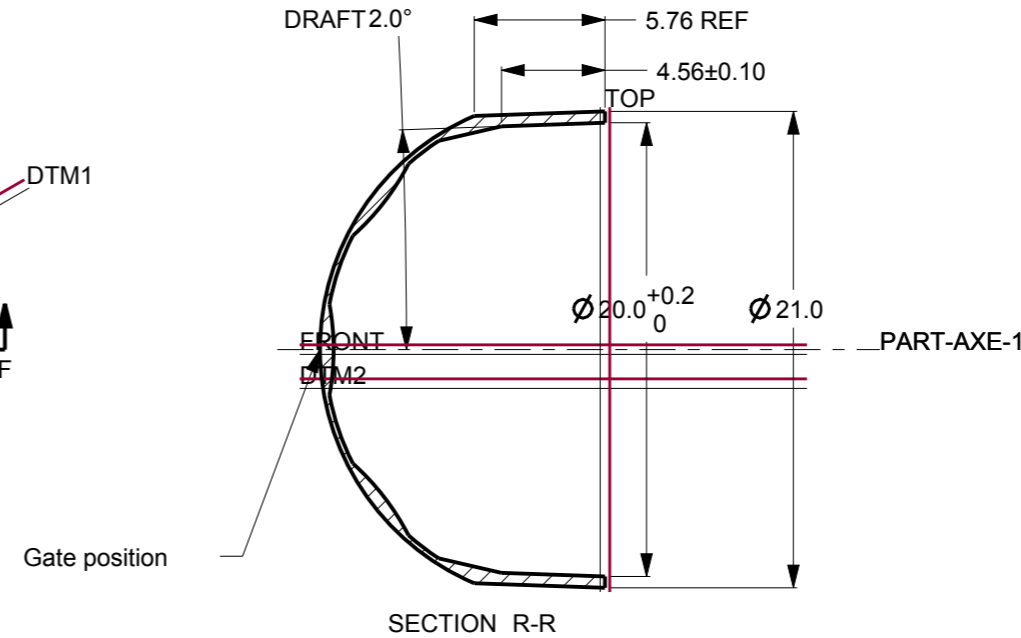
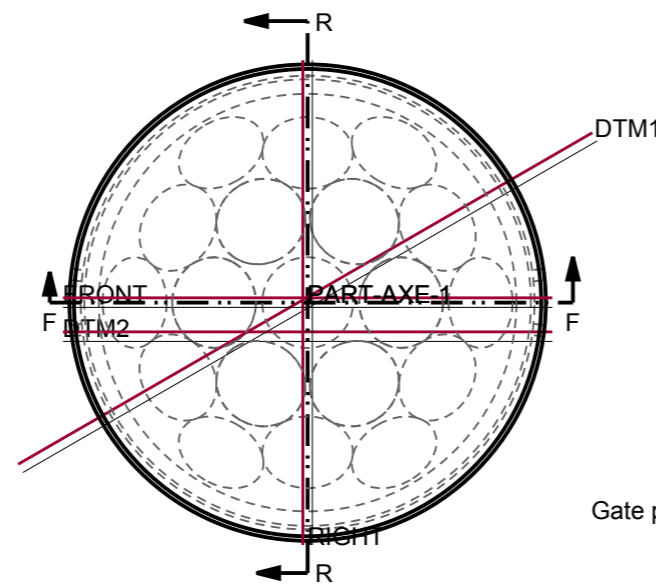
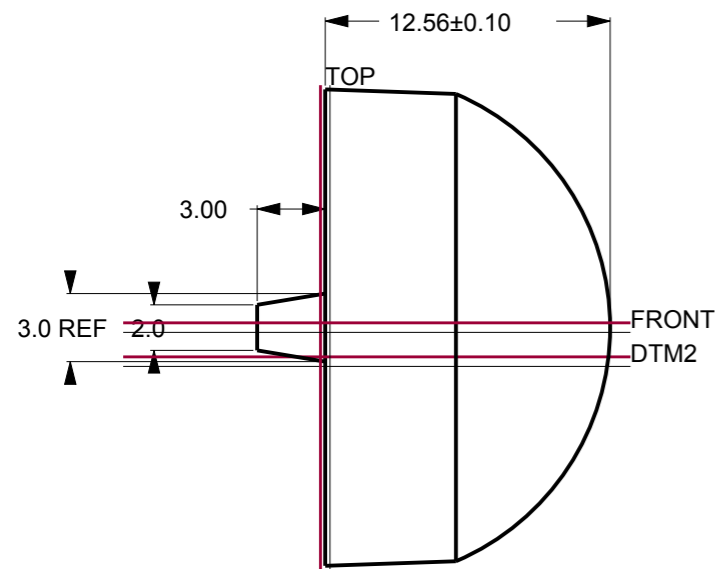
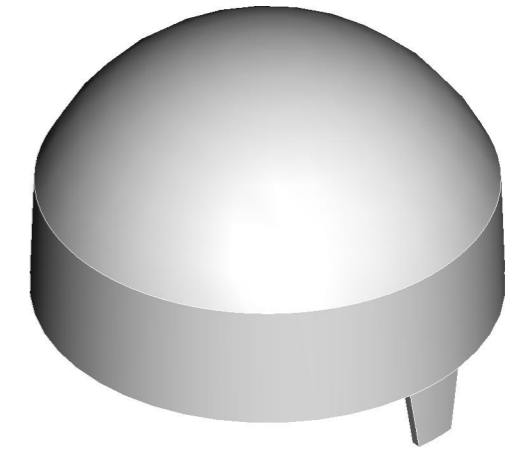


CUSTOMER DRAWING

REV.	DATE	D.C.N. NUMBER	DESCRIPTION	CHECKED BY DATE	APPROVED BY DATE
1	22/01/92		FIRST ISSUE		
2	11/1/94	01/94/229	9544/01 ADDED	RJL 22/1/92	
2A	15/7/2011	07/11/1304	Update to pro-e	FP 19/07/11	MB 19/07/11



Part No.	MATERIAL
9544	Natural HDPE
9544/01	Grey HDPE (RG/0723)



- NOTES:
 1. GENERAL DRAFT ANGLE 2 DEG
 2. MATERIAL : HIGH DENSITY POLYETHENE DEFINED UNDER FORM GF-040-014.

<p>103 BUCKINGHAM AVE, SLOUGH, BERKSHIRE, SL1 4PF, UK Tel: +44 1753 610800. Fax: +44 1753 611359 Email: design@carclo-optics.com www.carclo-optics.com</p>	Title		PF19 minidome multilens			
	Customer		Customer Drawing sheet 2 only			
<p>GENERAL TOLERANCES UNLESS OTHERWISE STATED LINEAR ANGULAR</p> <p>0 ± 0.25 0 ± 1° 0.0 ± 0.1 0.0 ± 0.5° 0.00 ± 0.05 0.00 ± 0.1°</p>	Drawn by	DG	Material	High Density Polyethylene	Scale	AS SPEC.
	DIMENSIONS IN mm		Format Size		A3	
CAD File		38-40984-9544-PF19MULTILENS				
Drw. N°		40984		Part N° 9544		