

PF 40

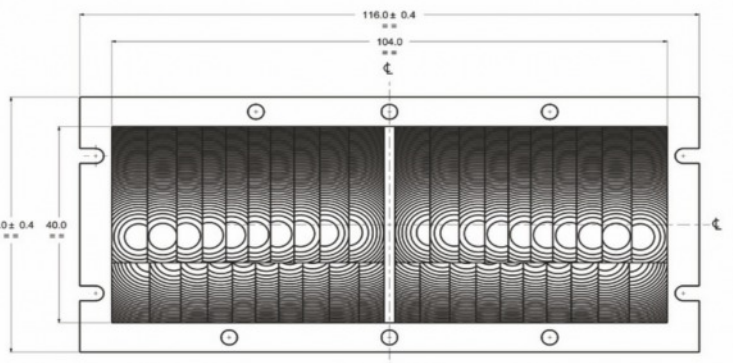
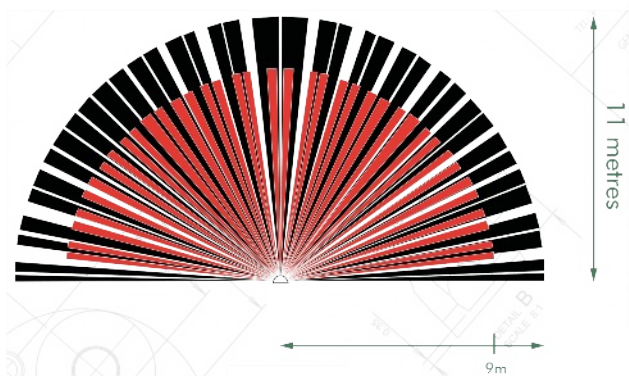
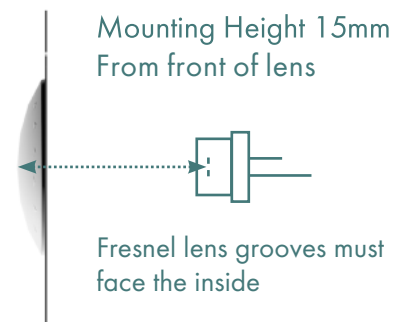
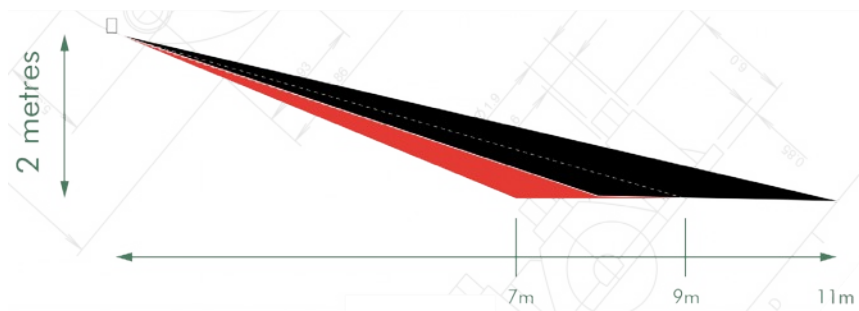
Item Code 5904
 Drawing Number A3- 60117

Available with different hole patterns, transparent, white, light grey, black and custom colours.

PF 40 is a 180 Degree Lens designed for outdoor lighting control

- 11 m range with both Top & Mid Facets focused between 7-11 m ensures complete detection in this range
- Designed to be used with 2 Pyros
- Compatible with Carclo dual pyro mount 5900

Typical Field of View diagrams when used in conjunction with Excelitas LHI 958 pyro

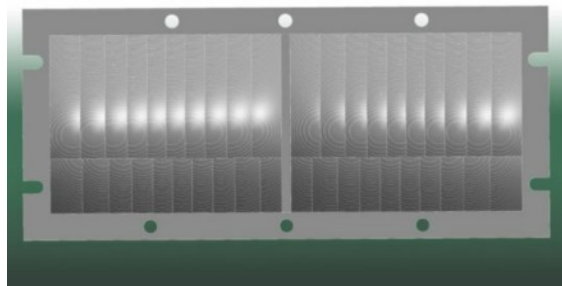


Note: Field of view (FOV) diagrams are idealised. Exact zones may depend on mounting conditions, detector type etc. FOV diagrams have been raytraced in reverse, i.e. from detector to the floor.



Making PIR Work

Leading design and manufacture of PIR Lenses



PF 40

Item Code 5904
 Drawing Number A3 - 60117

Compatible Sensor Types	A	View on Website
Additional Sensor Types*	B*, C***, D*, H***, I*	
Pyro Mounting Height	25.2mm from front of lens with Carclo Dual Pyro Mount**	
Mounting Height from Floor	2 - 2.3 metres	
Detection Angle	180°	
Detection Range	Up to 11 metres	
Focal Length	25.2mm	
Material	Carclo HDPE	
Colours	Natural, White, Light Grey, Black	
Variants	None	
No. of Lenses	40	
Overall Lens Dimensions	104mm x 40mm x 0.5mm	
Overall Part Dimensions	116mm x 52mm x 0.5mm	
Mounting	Curved 33.1mm radius with dual pyro mount 5900	

* May work with reduced signal. Recommend trial

** For some lenses the optical distance is critical- e.g. must equal 3.6+-0.1mm on drawing "Optical Distance" or a spacer under Pyro to achieve correct focal length to lens. Beware of Pyro orientation. Pyro Mounting height (from top surface of optic to element plane on Pyro).

*** With correct orientation - 90 degree from the drawing on pyro table

**** A one off tooling charge may apply

Carclo Technical Plastics Ltd.
 47 Waters Way - Mitcham - Surrey - CR4 4HR - UK
 Tel: +44 (0) 208 685 0500 - sales@carclo-fresnels.com

Carclo Technical Plastics
 600 Depot Street - Latrobe -PA 15650 - USA
 Tel: +1 724 539 6995 - sales@carclo-usa.com

JVS Sales & Technical Consultants GmbH, Wiesenstrasse 104 - 53639 Königswinter - Germany
 Tel: +49 2244 918 130 - sales@carclo-fresnels.com

Rev. 16-8-16